

# How to fit

## a Perfect Fit Spring Roller Blind

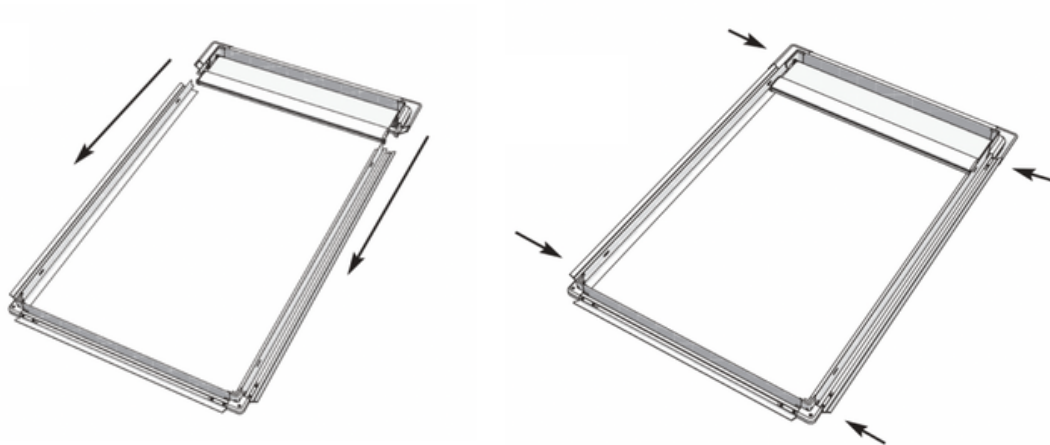
---

### Assembling the frame

Carefully unwrap your blinds and lay them out, face down, on a clean even surface. The side frames will be packaged separately to the rest of the blind.

Connect the left side of the frame to the exposed arm of the bottom left corner. Connect the right side of the frame to the exposed arm of the bottom right corner. Ensure the corner covers (on the front) overlap the frame slightly. Tighten the screws on both corners to secure the bottom frame.

You can then repeat this process with the top of the blind, securing the top to the frame with the screws in each corner joint.



You should now turn the blind over, so you are looking at the front. You may find it easier to stand the blind up at this point.

On the ends of the bottom bar are end caps designed to move up and down the inside of the Perfect Fit frame. To ensure they are moving smoothly, they must sit at the front of the Perfect Fit frame. To do this, pull the blind down a little and, carefully, angle the bottom bar (left to right) and bring the end caps to the front channel of the Perfect Fit frame. Move the bottom bar back to its horizontal position.

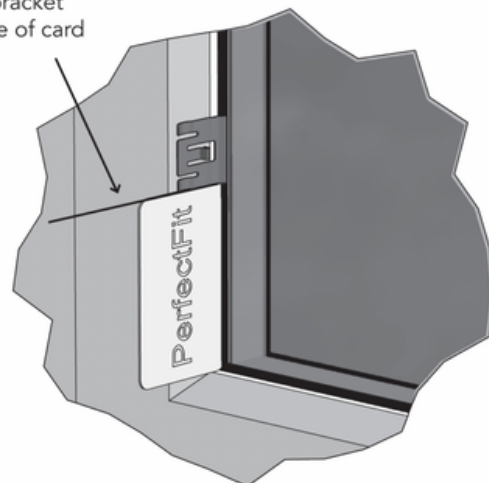
Please ensure that the bottom bar sits behind the grooving.



### Fitting the Brackets

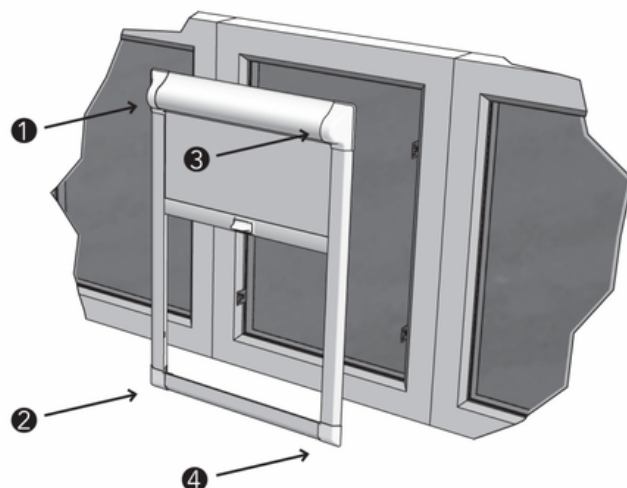
Use a credit card to correctly space the Perfect Fit brackets on your window frame. Place the card length ways (see beside) in each corner and align the bracket with the edge. Slide the bracket in between the glass and the rubber seal on your window, one for each corner of the window. If your blind drop is over 1100mm, you will receive intermediary brackets which should be lined up with the middle hole punches on your Perfect Fit blind frame. We recommend washing up liquid as a lubricant if you are struggling to insert the brackets.

Line up bracket with edge of card

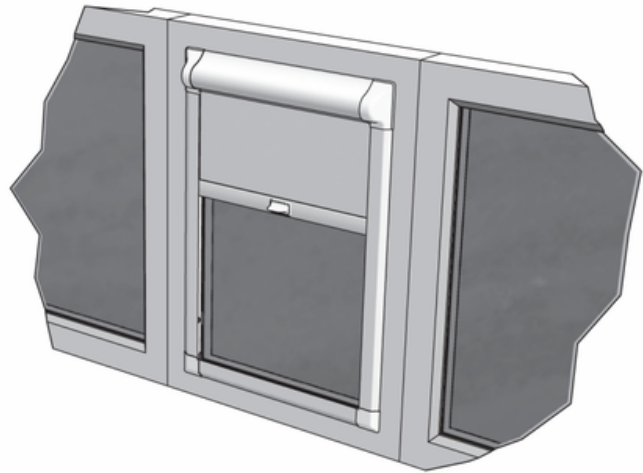


### Fitting the Blind

Offer the assembled blind up to your window, lining the brackets up with the holes punched in the side frame. You can then push the frame onto the brackets, ensuring the notch on the bracket sits in the holes on the frame. If you find that the frame will not clip onto the brackets, it is likely your brackets are too small. We can replace the brackets in most cases, just get in touch.



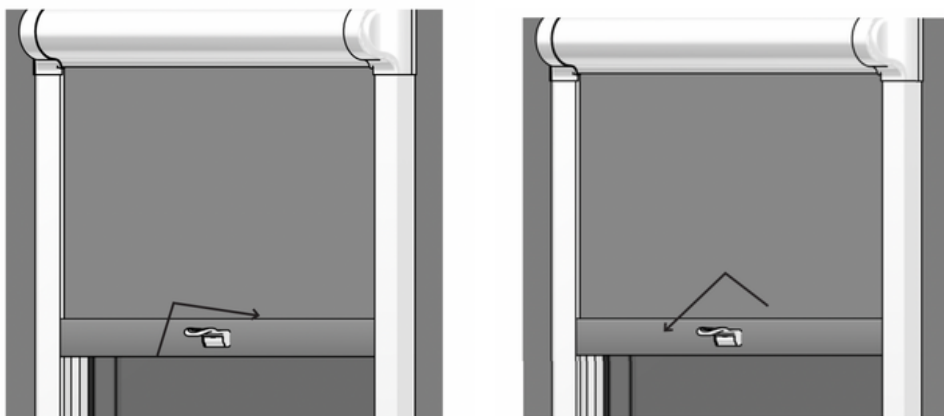
Firmly press the frame down onto each bracket.  
Fit one side at a time for an easier installation, 1, 2, 3, 4.  
Your blind is now installed.



## To Operate

The bottom bar must be tilted backwards when raising or lowering the blind. Once it has been repositioned, the bottom bar should be returned to its upright position.

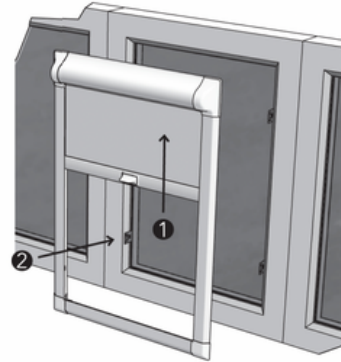
Over time, dependant on usage, the “bottom bar end caps” will wear and you might find your blind rising of its own accord. These are not covered by our guarantee, but you can purchase replacements parts on our website.



## To Remove

Return the blind to the top of the window.

Remove one side at a time by depressing button in the bracket and sliding the frame out.



## Adding 'wrap Tension' if required

In order for the fabric to roll up, we need to add 'wrap tension' at the top of the blind.

1. Remove bottom bar from grooves in the side channel, pull down the blind (do not manually push back up as it need to raise. naturally with tension.
2. Insert a 4mm allen key or angled allen drive attachment into the hexagon slot in the control end.
3. Turn 'anti-clockwise' to add tension until the blind starts to lift.
4. Tension is complete when the blind is fully opened.

