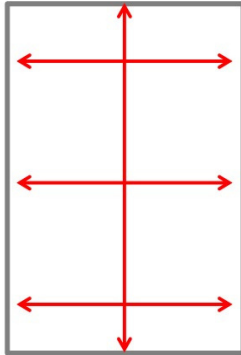


How to Measure

Intu Micro Pleated Blinds

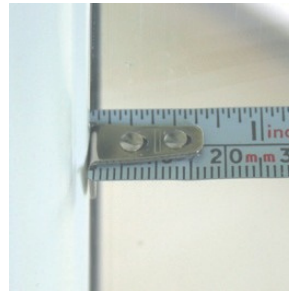
Clear Glass Width and Drop



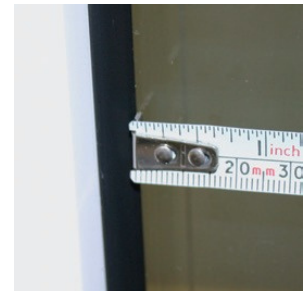
- Min. width: 240mm
- Min. drop: 100mm
- Max. width: 1400mm
- Max. drop: 2000mm
- Max. area: 1.5 sq m

Measure the visible glass width at 3 different points as shown. Use the smallest measurement as the blind width.

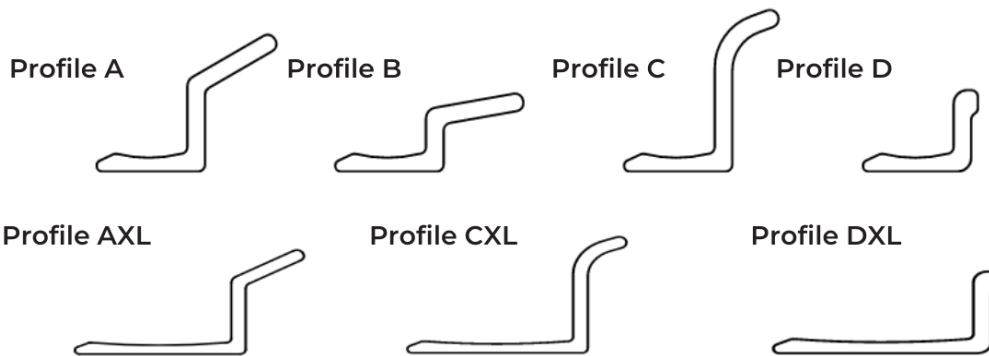
Flush or Recessed Rubber Bead



Proud Rubber Bead

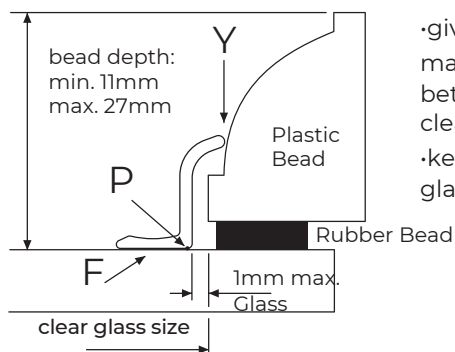


Side Profile



Rubber Bead

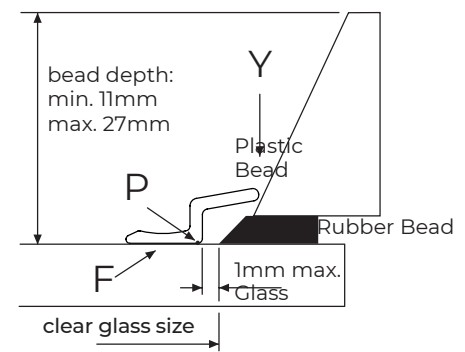
Flush or Recessed Rubber Bead



Select side profile that:-

- gives best fit at Y, • has max. 1mm gap between point P and clear glass size,
- keeps face F flat on glass

Proud Rubber Bead



Best Fitting Profile



Where the gap is greater than 1mm, this size must be deducted from clear glass size (both sides)

Bottom Rail



All blinds are supplied with a bottom rail that is an integrated handle. This moulded handle is simple to use and maintains the stylish appearance of the blind.