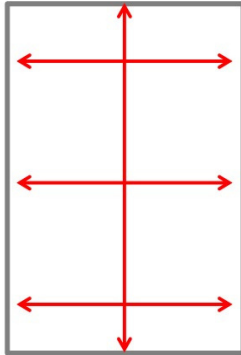


How to Measure

Intu Pleated and Venetian Blinds

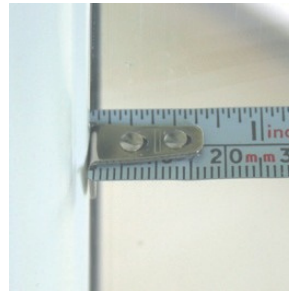
Clear Glass Width and Drop



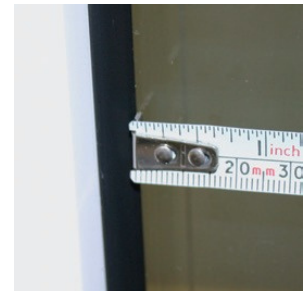
- Min. width: 240mm
- Min. drop: 100mm
- Max. width: 1400mm
- Max. drop: 2000mm
- Max. area: 1.5 sq m

Measure the visible glass width at 3 different points as shown. Use the smallest measurement as the blind width.

Flush or Recessed Rubber Bead

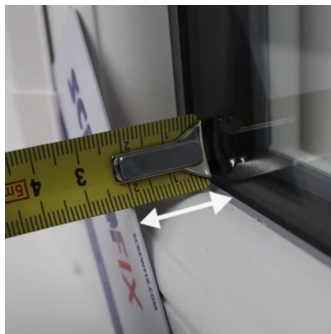


Proud Rubber Bead



Beading Depth

Tape Measure



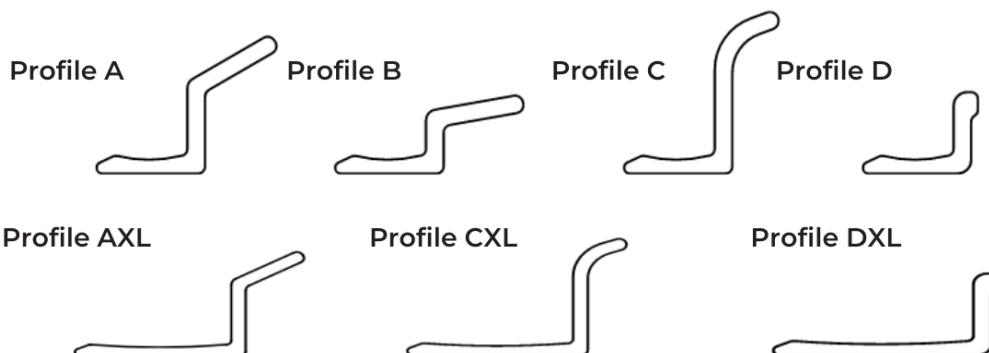
To measure the beading depth, place something flat such as a credit card across the corner of the uPVC. Measure from the glass to the edge of the card.

For bead depths above 27mm use Intu Screwfit or Intu Micro. For bead depths smaller than 11mm use Intu Micro

End cap spacers supplied
19-27mm - 0
15-18mm - 1 per side
11-14mm - 2 per side

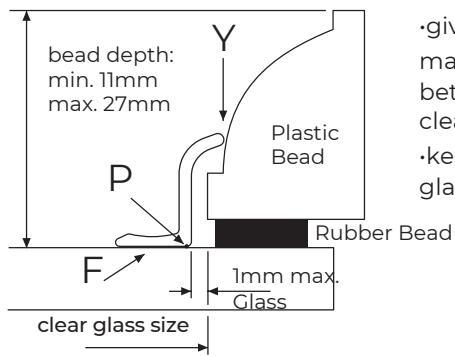
To ensure windows have a suitable rubber bead that accepts fitting of bracket, slide a credit card or something thinner between glass and rubber bead.

Side Profile



Rubber Bead

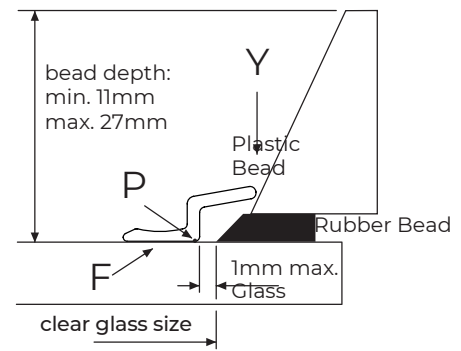
Flush or Recessed Rubber Bead



Select side profile that:-

- gives best fit at Y, ·has max. 1mm gap between point P and clear glass size,
- keeps face F flat on glass

Proud Rubber Bead



Best Fitting Profile



Where the gap is greater than 1mm, this size must be deducted from clear glass size (both sides)

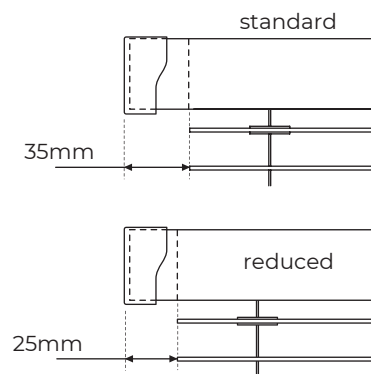
Reduced Headrail



70mm std.
50mm mod.
mod.

Reduced Headrail - All Models

- Insufficient clearance on window frame or glazing bar will require reduced headrails.
- Reduction will be 10mm per side.

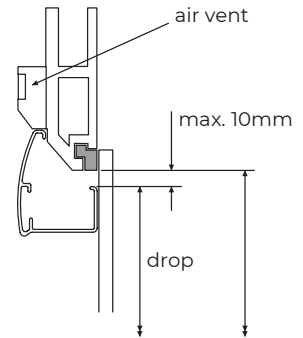


Air Vents



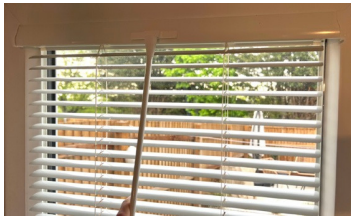
When headrail may foul air vent or other obstruction, a deduction of up to 10mm can be made from the clear glass drop to clear obstruction

You must have 25mm clearance between the edge of the glass and edge of the air vent.



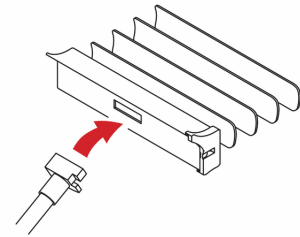
clear glass drop

Operating Rod



Blinds out of reach

- Choose a 30cm, 60cm or 120cm rod as required
- The rod connector is placed inside the tilt handle (Venetian Only)
- Bottom rail is slotted for rod to assist with raising and lowering (Venetian and Pleated)



Bottom Rail



All blinds are supplied with a bottom rail that is an integrated handle. This moulded handle is simple to use and maintains the stylish appearance of the blind.